

# 540TVL BULLET CAMERA WITH EXTERNAL CONTROLLER

AP - B9511SR (DC 2.8 ~ 11mm)

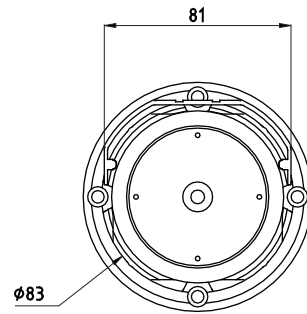
AP - B9522SR (DC 9.0 ~ 22mm)

AP - B9550SR (DC 5.5 ~ 50mm)

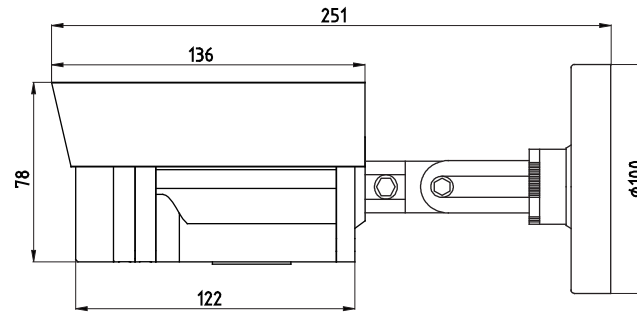
Super resolution & Bullet camera



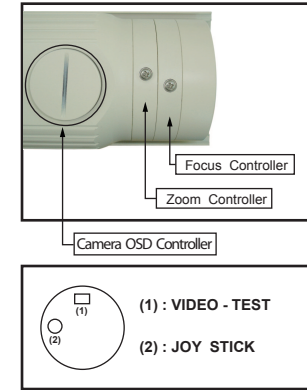
• Front View



• Side View

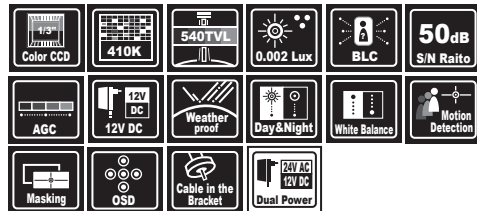


• Bottom View



## FEATURES

- ▶ High Resolution of 540TV Line
- ▶ 1/3" Super HAD color CCD with 410K Pixels
- ▶ Back Light Compensation
- ▶ Motion Detection / Cable managed bracket
- ▶ Easy Access to OSD Controller (Joystick OSD Controller)
- ▶ Privacy Image Masking with Free Position : 4Zones
- ▶ Removed Noise & Ghost Image with DNR
- ▶ External Focus Adjustment Ring
- ▶ Outstanding SENS - UP at Low Light Condition  
Min.illumination of 0.3 LUX @ F1.2 ( Normal Color Mode )  
0.002 LUX @ F1.2( Sens-up )
- ▶ Option - Dual Power ( AC24V & DC12V )  
True D/N - ICR ( IR Cut filter Removable )



■ Standard □ Option

## SPECIFICATIONS

DESCRIPTION	DESCRIPTION	DESCRIPTION
▶ Image Pick-Up Device	1/3" SONY SUPER HAD CCD	▶ OSD
▶ TV System	NTSC / PAL	▶ BLC
▶ Pixels	NTSC = 768(H)X 494(V) PAL = 755(H)X 582(V)	▶ AGC
▶ Scanning System	2:1 Interlaced	▶ DNR
▶ Sync System	Line Lock (AC) / Internal (DC)	▶ DAY&NIGHT
▶ Resolution	540TV Line	▶ MOTION DETECTION
▶ Minimum Illumination	0.002Lux (Sens - Up X 128)	▶ MIRROR
▶ S/N Ratio	More than 50 dB	▶ SHARPNESS
▶ White Balance	ATW / AWC / MANUAL (1800K ~ 10,500K)	▶ PRIVACY
▶ Gamma Characteristic	0.45	▶ Power Supply
▶ Video output	1.0Vp-p 75 ohm Composite	▶ Power Consumption
▶ Electronic shutter Speed	NTSC : AUTO/MANUAL (X128~1/60SEC ~ 1/120,000sec) SENS-UP & SENS-UP LIMIT IS SELECTABLE / FLICKERLE PAL : AUTO/MANUAL (X128~1/50SEC ~ 1/120,000sec) SENS-UP & SENS-UP LIMIT IS SELECTABLE / FLICKERLE	▶ Lens
		▶ Operational Temperature
		▶ Storage Temperature
		▶ Weight
		BUILT-IN
		LOW, MIDDLE, HIGH, OFF SELECTABLE
		LOW, MIDDLE, HIGH, OFF SELECTABLE
		LOW, MIDDLE, HIGH, OFF SELECTABLE
		AUTO / ON
		ON / OFF (4 ZONE)
		ON / OFF
		ON / OFF (LEVEL ADJUSTABLE)
		ON / OFF (4 ZONE)
		DC12V / AC24V Dual (Option)
		210mA
		DC Iris Varifocal 2.8 - 11mm (Option)
		-10Deg ~ +50 Deg C RH95% Max
		-20Deg ~ +60 Deg C RH95% Max
		Appx.1.5Kg