

CAB SERIES

CAB-30T / CAB-60T

Twin Photoelectric Beam Sensor

FEATURES :

- With A.G.C. (Automatic Gain Control) Circuit
- Lightning Protection
- Adjustable Beam Interruption Period (50 msec - 700 msec)
- High grade lens creates more sharply defined & precise infrared beams.
- Anti-Frost Design is incorporated to protect the detector from effect of frost & dew.



FEATURES

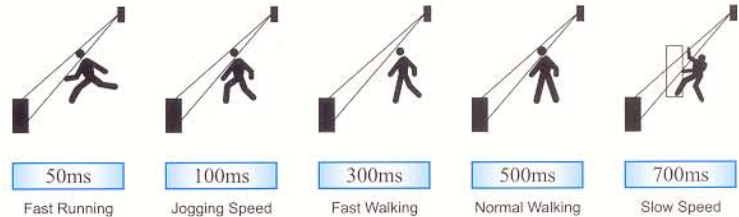


Rain, Fog and Snow Protection

The A.G.C. Circuit continually monitors for gradual changes in the signal's strength caused by weather conditions and adjusts the trigger level accordingly, to maintain proper sensitivity.

Protection Against Birds, insects and falling leaves

Beam interruption time can be adjusted according to the peculiarities of each installation site. When protecting a wall or fence, a long interruption time will catch intruders, but let jumping cats or small objects pass through.



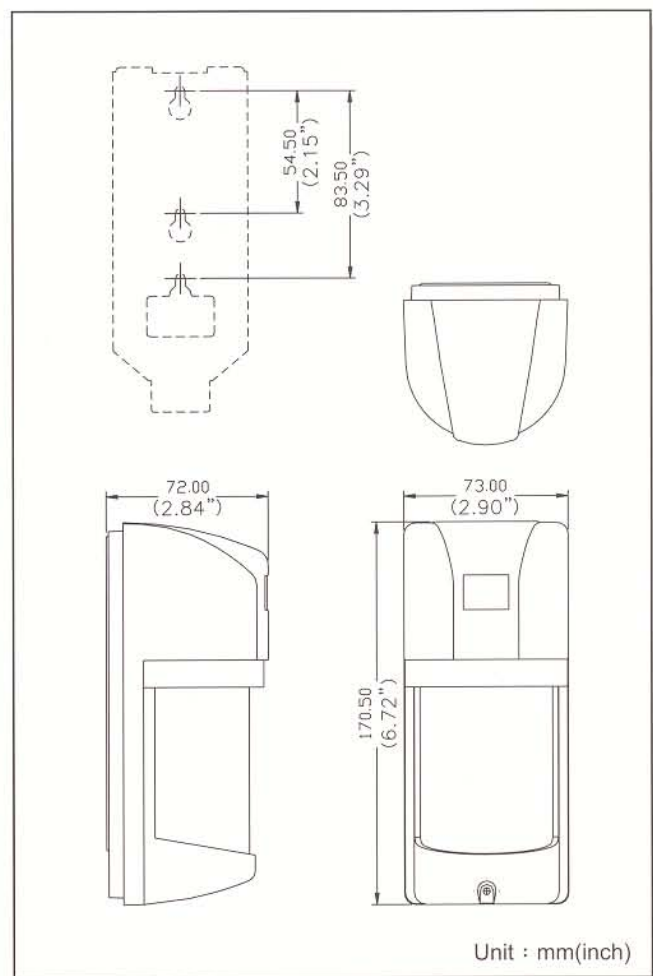
Easy Installation

The pole mount brackets supplied will allow installation of two units on a pole at the same height easily.

SPECIFICATIONS

Model	CAB-30T	CAB-60T
Detection Range	Outdoor 30m (100") Indoor 60m (200")	Outdoor 60m (200") Indoor 120m (400")
Current Consumption	36mA (Max)	42mA (Max)
Supply Voltage	10V-30VDC (Non-Polarity)	
Detection System	Infrared Photoelectric	
Infrared Beam	LED pulsed beam	
Response Time	50-700 msec. (Adjustable)	
Alarm Output	Dry connect relay NC./NO. 1A/30 VDC Contact action: 0.5 sec to 2 sec \pm 10%	
Tamper Switch Output	Dry connect relay NC./NO. 1A/30 VDC (N.C. opens when cover is removed.)	
Alarm LED	Receiver : LED Red ON	
Functions	Monitor jack output, AGC circuit, Frost proof cover.	
Alignment Angle	Horizontal \pm 90° ; Vertical \pm 10°	
Over-Voltage Protection	10/160us 150A, 10/1000us 75A (58V to 77VDC or more)	
Operating Temperature	-25°C to +55°C (-13°F to +131°F)	
Mounting Positions	Indoor / Outdoor	
Wiring	Terminal	
Environment Humidity	95% (max)	
Weight	732 grams (25.8 oz)	
Dimension (W x H x D)	73 x 170 x 70 mm (2.9" x 6.75" x 2.76")	
Cosmetic	PC (Burgundy color)	
Standard Accessories	Mounting plate x 2 pcs Screw (5/32" x 1") x 8 pcs Attenuation sheet x 1 pc	

DIMENSIONS



Unit : mm(inch)

No.CAB 60 / 30.



INTERNATIONAL HEADQUARTERS :

CROW ELECTRONIC ENGINEERING LTD.

57 HAMELACHA STREET HOLON 58855 ISRAEL

TEL : +972-3-5569937 FAX : +972-3-5592981

Sales@crow.co.il

www.thecrowgroup.com

CROW LATIN AMERICA

5753 NW 151ST STREET MIAMI LAKES, FL 33014

PH(305)823-8700 FAX(305)823-8711

sales@crowlatinamerica.com

www.crowlatinamerica.com www.crow.com.br